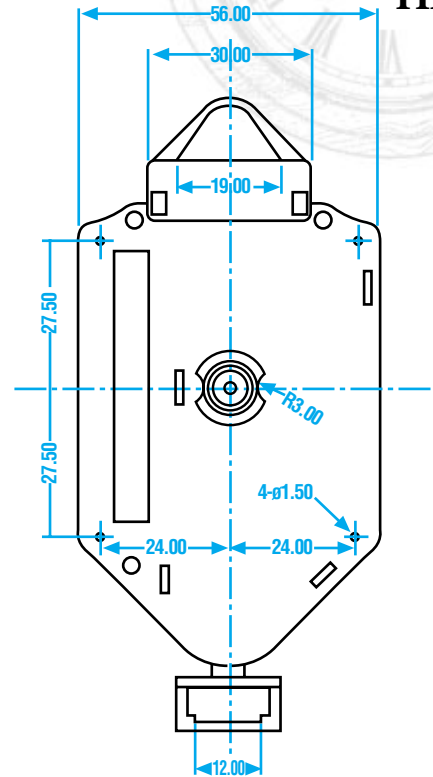
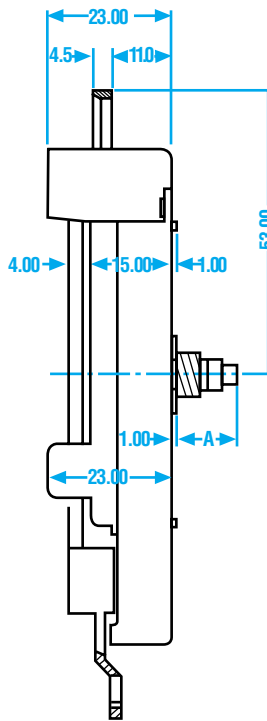
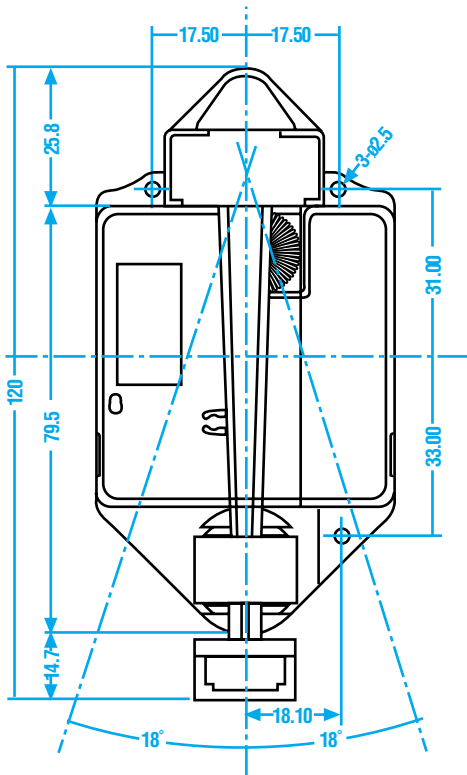


# Quartz Pendulum Clock Movement

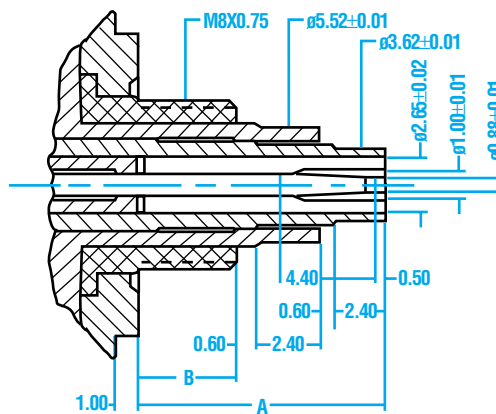


WP33 SHD, SHE, SHF

TIMEWORX



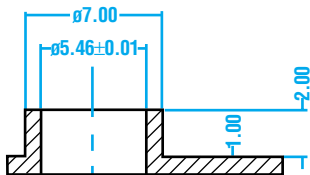
	HQ 3268 SHD	HQ 3268 SHE	HQ 3268 SHF
A	13.0	19.0	28.2
B	6.1	12.1	21.0



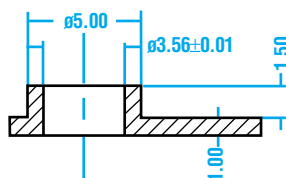
## PENDULUMS

See page 21 for pendulums to suit this movement.

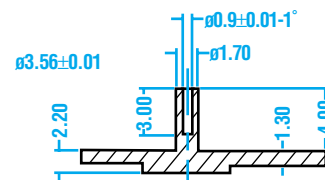
## PLASTIC HAND



Hour Hand



Minute Hand



Second Hand

## SPECIFICATIONS

Crystal Oscillator 32.768KHZ  
Accuracy at 22° ±20sec/month  
0.45±0.55 sec/day  
Operating Voltage 1.3V to 1.7V

Average Current  
Consumption Time w/Pendulum  
Motor Type  
Battery Size  
Battery Life  
Operating Temperature

Less than ≤150uA at 1.5V  
Less than ≤350uA at 1.5V (Pendulum length 200mm weight 60g)  
Two-pole stepping motor  
AA size (IEC R6) 1pc  
Approx 1/2 year  
-10° to +50°

PO Box 17 230

Auckland

New Zealand

Phone: 64 9 634 6633

Fax: 64 9 634 6633

email: sales@timeworx.co.nz

web: www.timeworx.co.nz