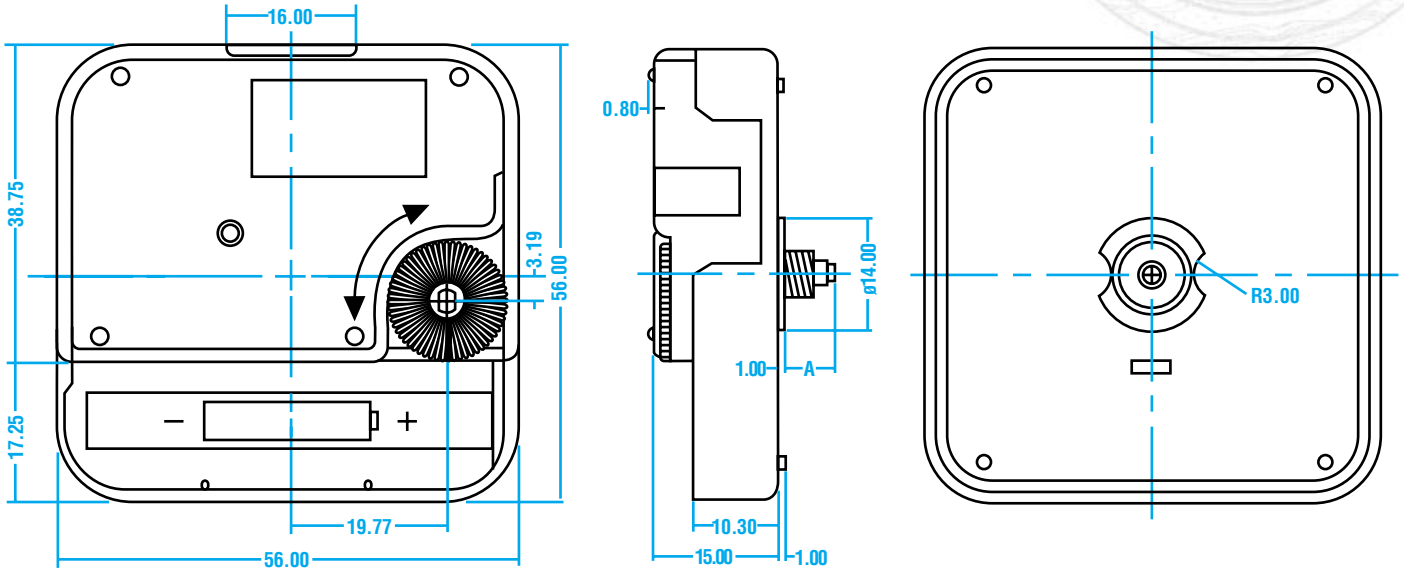


# Quartz Clock Movement

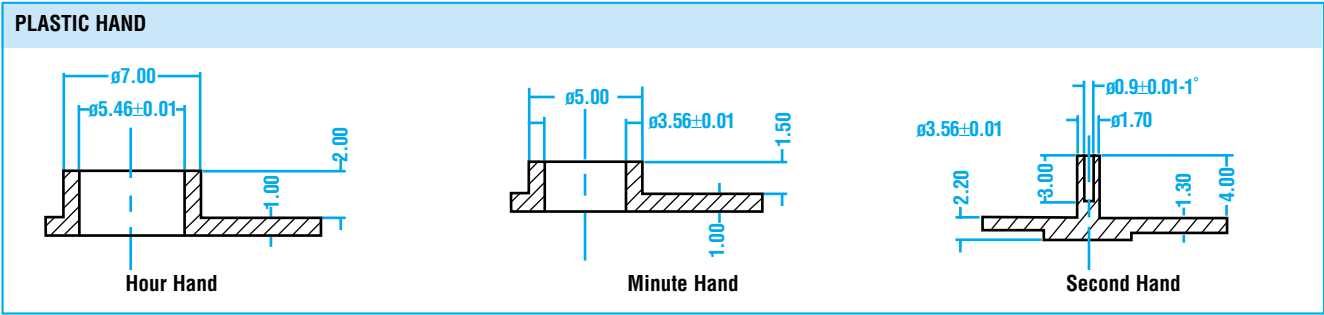
HQ 3268 SHC, SHD, SHE, SHF, SHG

**TIMEWORX**



|   | HQ 3268 SHC | HQ 3268 SHD | HQ 3268 SHE | HQ 3268 SHF | HQ 3268 SHG* |
|---|-------------|-------------|-------------|-------------|--------------|
| A | 11.5        | 13.0        | 19.0        | 28.2        | 24.0         |
| B | 4.6         | 6.1         | 12.1        | 21.0        | 16.0         |

\* The SHG shaft length B=16mm!



**SPECIFICATIONS**

Crystal Oscillator 32.768KHZ  
 Accuracy at 22° ±20sec/month  
 0.45±0.55 sec/day  
 Operating Voltage 1.3V to 1.7V  
 Average Current  
 Consumption Time Less than ≤150uA at 1.5V

Resonance Frequency 2048  
 Motor Type Two-pole stepping motor  
 Battery Size AA size (IEC R6) 1pc  
 Battery Life Approx 1 year  
 Operating Temperature -10° to +50°

PO Box 17 230  
 Auckland  
 New Zealand  
 Phone: 64 9 634 6633  
 Fax: 64 9 634 6633  
 email: sales@timeworx.co.nz  
 web: www.timeworx.co.nz